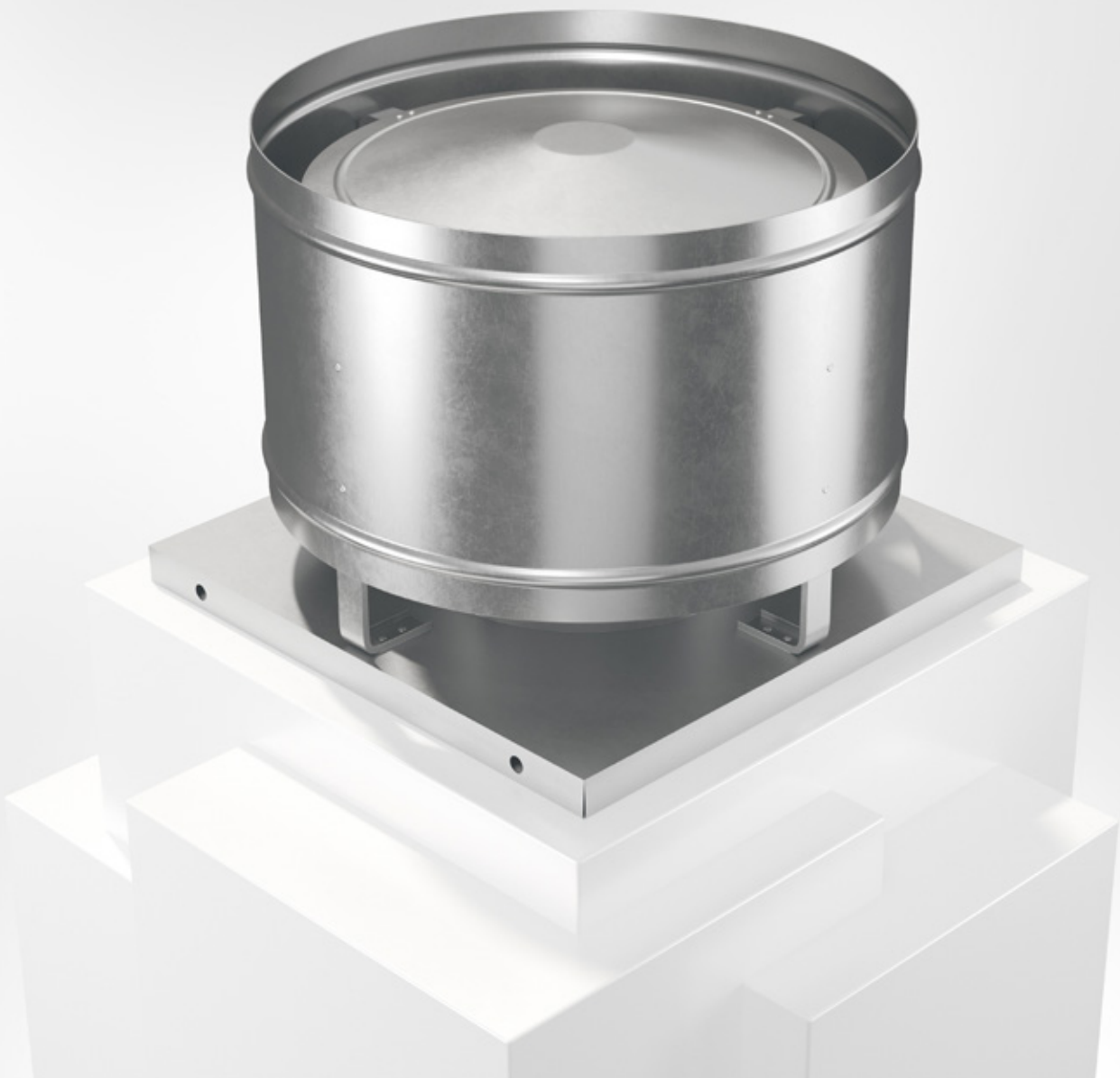


# BREA

Intake or Exhaust Air Cowl



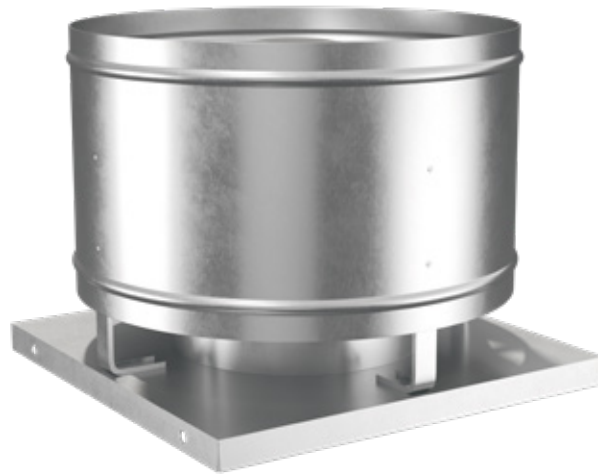
COWLS



08/12/2023



# Intake or Exhaust Air Cowl BREA



## Quick facts

- Sizes from Ø100 mm to Ø1250 mm
- Internal water deflector
- Sizes 100-315 are fitted with a socket connection, sizes 400-1250 are fitted with flange connection
- Compatible (with transition unit) with Roof inlet BRTG or BRTL
- Galvanized sheet steel as standard
- Available in powder coated finish corrosivity class C4
- Available in MagiCAD

## Use

BREA is circular air cowl for use in air conditioning and industrial plants. It can be used for either intake or exhaust air. The cowl is intended to be used when low pressure drop is wanted, e.g. for smoke evacuation.

Sizes 100-315 is fitted with a socket connection, sizes 400 -1250 are fitted with a flange connection. BREA can be fitted with roof inlet BRTG, and can be built with a transition which suits BRTG. The air opening can when ordered be fitted with rodent proof wire mesh.

From size 800 and up, the cowl is equipped with eyebolts as standard and can also be supplied as accessories for smaller sizes.

## Material, surface treatment

The air cowl is manufactured as standard in galvanized sheet steel and can also be supplied in a painted finish (C4) in any colour, see [www.bevent-rasch.com](http://www.bevent-rasch.com)

The air cowl can also be supplied in aluzink AZ185 or in stainless steel EN 1.4404 (AISI 316L).

## Specification

Example:

**Air Cowl**

**BREA - 400 - 1 - 0 - 6**

Size, mm  
see size table

Material:

Galvanized sheet steel = 1  
Stainless AISI 316L – EN 1.4404 = 3  
Aluzink AZ185 = 4

Surface treatment:

Unfinished = 0  
Powder coated = 1\*

\* Colour code should be stated in plain text, see [www.bevent-rasch.com](http://www.bevent-rasch.com)

Connection:

Socket (size 100-315) = 0  
Flange (size 400-1500) = 1  
Sleeve coupling (built-in) = 6-18

(indicate size of transformation piece as per size table)

**Accessories:**

**Roof inlet BRTG**

**Roof inlet BRTL (size 100-200)**

**Rodent proof wire mesh (state in writing)**

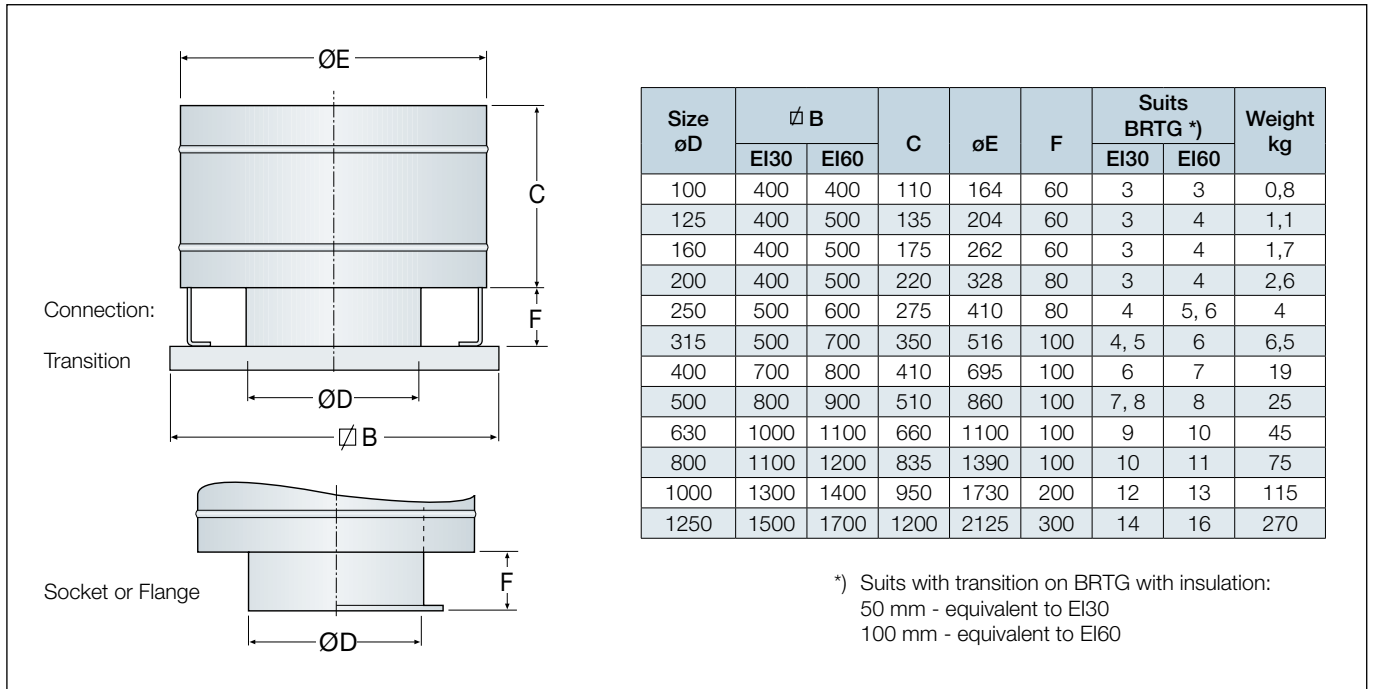
**Counter flange BRFL**

## Special

The air cowl can be supplied in many different custom designs in terms of dimensions, choice of material, etc. Contact Bevent Rasch.



Dimensions



Selection chart

