

OPTIMUS 60R[®]

Circular regulating fire damper
EI60S



FIRE SAFETY

PATENT
PENDING



CE
UK
CA

30/09/2024



**PATENT
PENDING**



**CE
UK
CA**

Quick facts

- Fire resistance class EI60S
- Sizes from 100 mm to 630 mm
- Adapted for reuse
- Installed without fire sealant and insulation strip
- No refinishing
- Easy installation from one side of the building element separating fire cells
- Available in MagiCAD

Two dampers and actuators in one!

Bevent Rasch has developed a fire damper fire class EI60/EI60S with regulating actuator. This means that it is possible to regulate the air flow from 0 to 100% with a control signal 2–10 V or use it as an adjustment damper or boosting damper while providing complete protection against the spread of combustion gases.

Use

Dampers in combination with walls or joists for fire-sectioning of heating, ventilation and air conditioning installations in buildings. In accordance with the European Standard EN 15650:2010. In designs according to associated documents, installation instructions and when the damper is used in combination with smoke detectors and monitoring system (FENIX, MRB, MRB3), or the like, the spread of fire/combustion gases is prevented. No further action against the spread of fire/combustion gases is required.

Performance

CoCP (Certificate of Constancy of Performance) and UKCA certificate according to EN 15650:2010
0402-CPR-C500380
2822-UKCA-CPR-0135



Classification of fire resistance in accordance with EN 13501-3

EI60 (ve ho i ↔ o) S

For complete classification, refer to the Performance Declaration.

Installation

OPTIMUS is mounted on a building element separating fire cells or in horizontal insulated ducts. Fit according to the enclosed installation instructions. Installation outdoors or in an exposed environment must take place in consultation with Bevent Rasch. Should not be installed outdoors or in damp areas.

Actuator

OPTIMUS is always supplied with an electric safety actuator with spring return complete with thermal sensor equipped with pushbutton for local manual operating test. The sensor breaks the power supply to the actuator device if the temperature exceeds 72°C inside or outside the damper. 24 V actuators are always used with FENIX, MRB3 and MRB monitoring systems. The damper can also be supplied with a 230 V electric actuator.

Activation

The Boverket Building Regulations state a requirement for smoke detectors verified in accordance with SS-EN 54-7 for activation of dampers. The obligatory thermal sensor closes the damper at 72 °C in accordance with ISO 10294-4.

Control and monitoring

When the damper is used to prevent the spread of fire and smoke, it must be closed via impulses from the smoke detector. The detector must be fitted in the ventilation duct near the damper or in another suitable location. Smoke detectors are monitored by means of Bevent Rasch's FENIX, MRB or MRB3 monitoring system. Monitoring systems from Bevent Rasch perform automatic function checks in accordance with current requirements. See www.bevent-rasch.com for further details.



Size Ø100-630 mm.

Design

OPTIMUS is supplied complete with a safety actuator. The actuator has position indication contacts and a thermal sensor. The damper has connections for a spiral folded duct as standard. The damper comes as standard with spiral duct connections.

The control signal can come from e.g. room controllers, air quality sensors, or other devices that give a 2–10 V DC output signal.

The actuator provides an actual value signal of 2–10 V DC depending on the damper position.

In the event of a power failure, the damper closes automatically via the actuator's spring return.

Material and surface finish

- Casing and components of galvanised steel sheet according to environmental class C3
- EPDM duct seals
- Blade seal of PE/PP
- Blade of calcium silicate

Accessories

OPTIMUS-MS	Union piece
OPTIMUS-SK	Shaft ring
RCKD/-RD	Smoke detectors
RCTU/RCTC	MRB3-system, max 236 dampers
FENIX2	max 2 dampers
FENIX4 / FENIX+	max 16 dampers
FENIX 0-10V	for local regulation of 0–10 V dampers

Specification

Example:

Fire damper **OPTIMUS60R - 400 - 1 - 0**

Size, nom. diameter ØD mm

Material

Galvanised sheet steel = 1

Stainless EN 1.4016 = 3

Actuator

Electric 24 V with thermal sensor = 0

Electric 24 V incl. RCTU = 5

Note: Factory-fitted actuator device is always included.

Accessories specification

Example:

OPTIMUS-MS Union piece **OPTIMUS-MS - 400**

Size, nom. diameter ØD mm

Note: Required for installation in ducts, see installation instructions.

Example:

OPTIMUS-SK Shaft ring **OPTIMUS-SK - 400**

Size, nom. diameter ØD mm

Note: Required for installation in shaft walls, see installation instructions.

Installations options for OPTIMUS 60R

Size	Fire class	Wall of drywall EI60 Group A, SS-EN1363-1	Solid wall	Solid floor*	Duct	Shaft wall
Ø100 - Ø630	EI60S	√	√	√	√	√

*125 mm lightweight concrete

Product data for OPTIMUS 60R

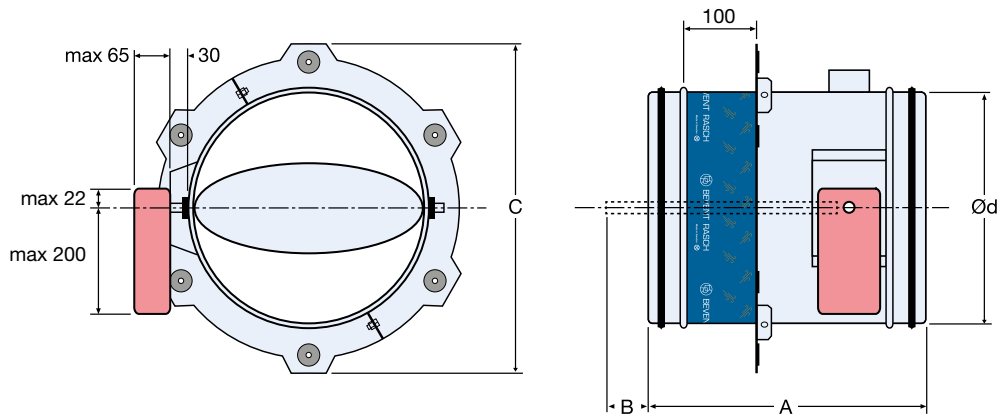
Size	Pressure class	Casing tightness SS-EN1751	Tightness over damper blades SS-EN1751	Actuator type
Ø100 - Ø315	B	C	3**	Belimo BFL-SR-T
Ø400 - Ø630	B	C	3	Belimo BFN-SR-T

Pressure class B: 2500Pa

**Size Ø100-Ø125: 2

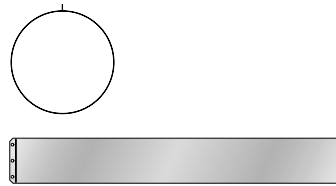


Dimensions and weight

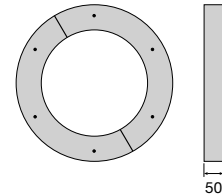


Size Ø mm	A	B	C	Weight, kg
100	375	-	237	2,7
125	375	-	262	3,0
160	375	-	295	3,4
200	375	-	335	3,9
250	375	21	385	4,6
315	375	84	450	5,6
400	477	95	534	9,7
500	477	145	634	12,7
630	477	210	764	16,6

OPTIMUS-MS Union piece



OPTIMUS-SK Shaft ring



* If necessary, the actuator can be rotated 90°.

Actuator – damper size

Actuator BFL-SR-T is supplied for dampers in size Ø100–315 mm.

Actuator BFN-SR-T is supplied for dampers in size Ø400–630 mm.

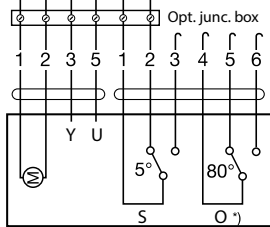
Electrical data

Actuator type	BFL...	BFN...
Sizing, max	6,5 VA	8,5 VA
Running time;		
- motor opening, max	60 s	60 s
- spring return, max	approx. 20 s	20 s at -10 to +55°C < 60 s at -30 to -10°C
Protection class	IP 54 in all installation positions	
Supply voltage	24V~ ±20%, 50/60Hz	
Control signal Y	DC 0-10V	
Working range	DC 2-10V	
Position reversal U	DC 2-10V	
Design	I _{max} 8,3A @ 5ms	
Ambient temperature	-30° to +55°C	
Thermal sensor tripping temperature	72°C	
Mode contacts (Load)	1mA...3 (0,5 inductive) A, AC250V	
Sound level when opening	< 43 dB (A)	< 55 dB (A)
Closing noise level	< 62 dB (A)	< 67 dB (A)
Maintenance	Maintenance-free	



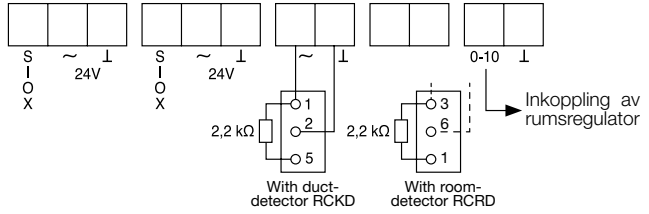
Wiring diagram

Option 1 – Connection to parent system

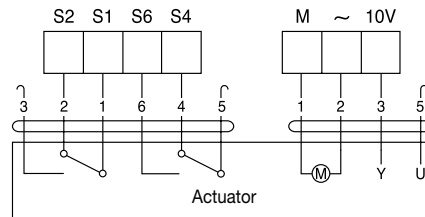


Actuator

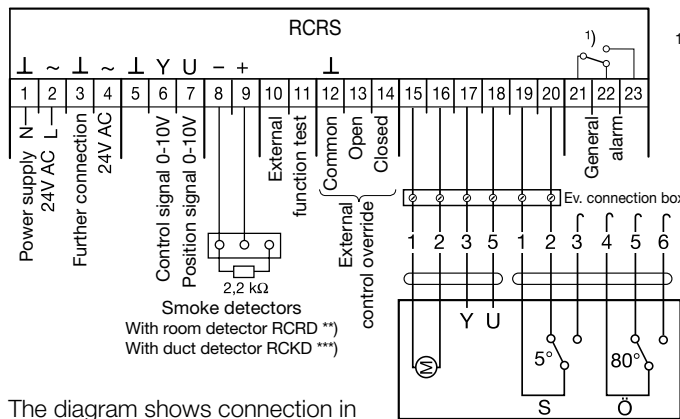
Option 2 – Connection to RCTU



BF24-SR, BRS24, BFL24-SR, BFN24-SR



Option 3 – Connection to RCRS

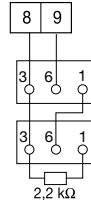


Actuator

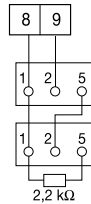
1) Potential-free contact max. 24V AC, Drawn in voltage-free/alarm mode.

*) Limit switch for Open position is only included on BRS24-act

**) With room detector RCRD connected in series



***) With duct detector RCKD connected in series

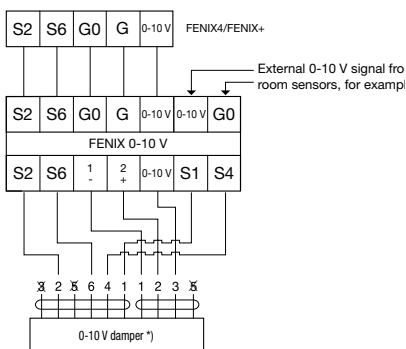


The diagram shows connection in non-energised state.

Note:

- For 2-position operation: The damper assumes min. position when the control signal is 0 V or broken and max. position in the case of 10 V input signal or 24 V AC direct on terminal 6.
- Power and control signal are connected to common system 0 V.

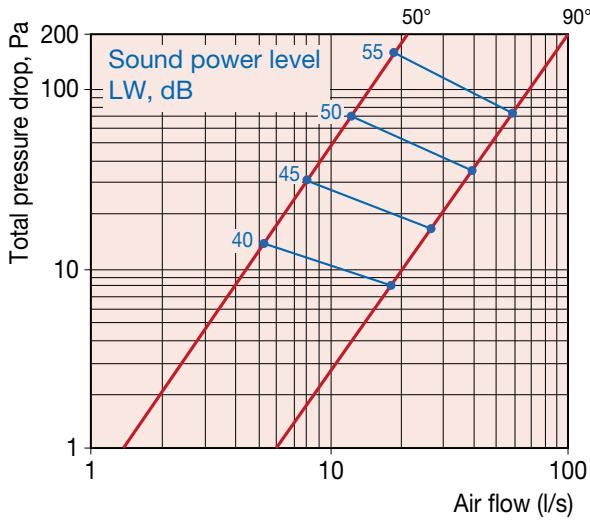
Option 4 – Connection to FENIX 0–10 V module



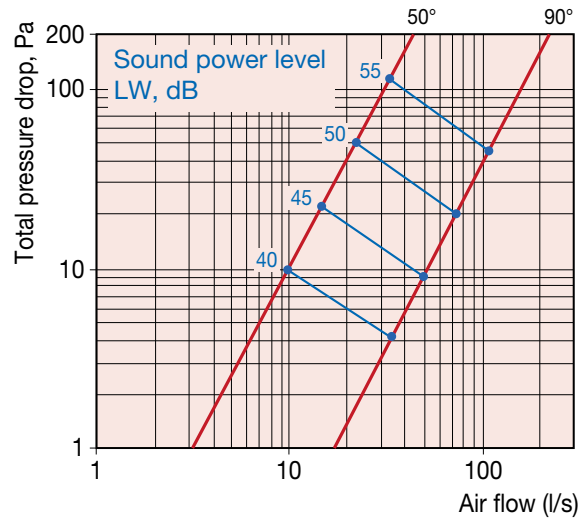


Dimensioning diagram

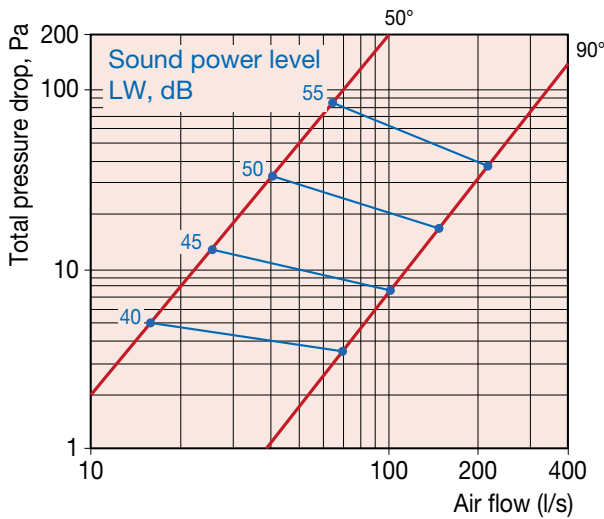
Size - 100



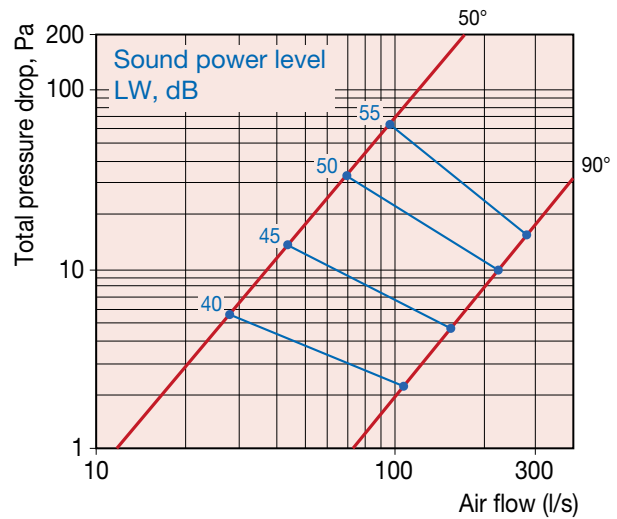
Size - 125



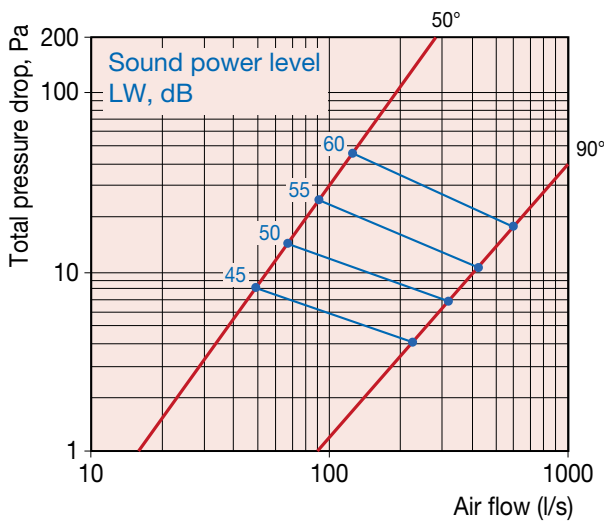
Size - 160



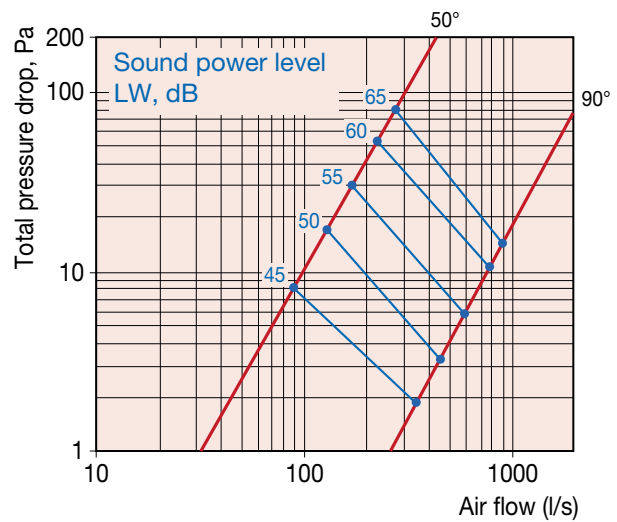
Size - 200



Size - 250



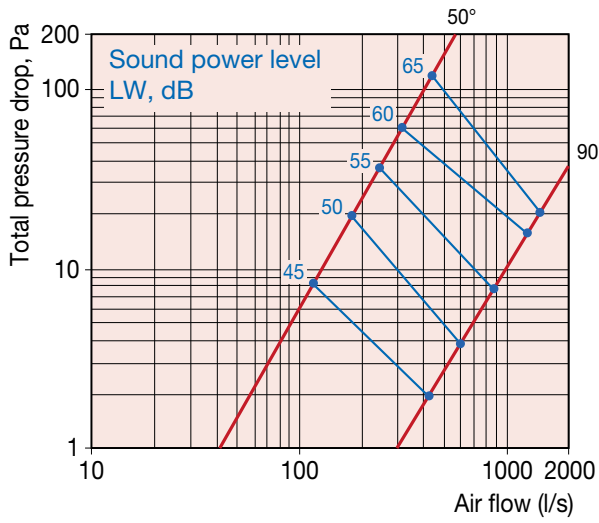
Size - 315



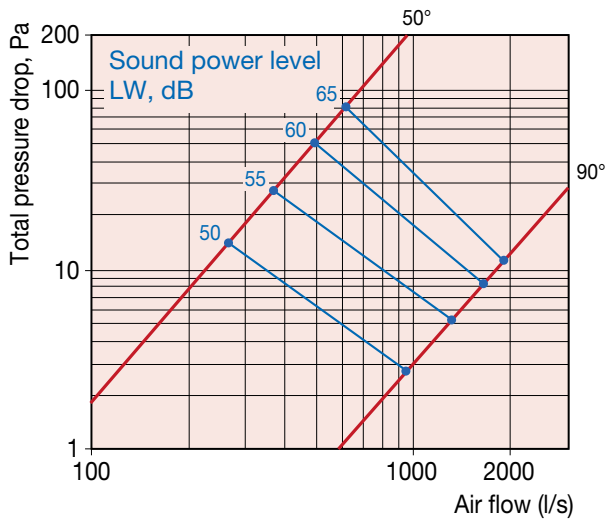


Dimensioning diagram contd.

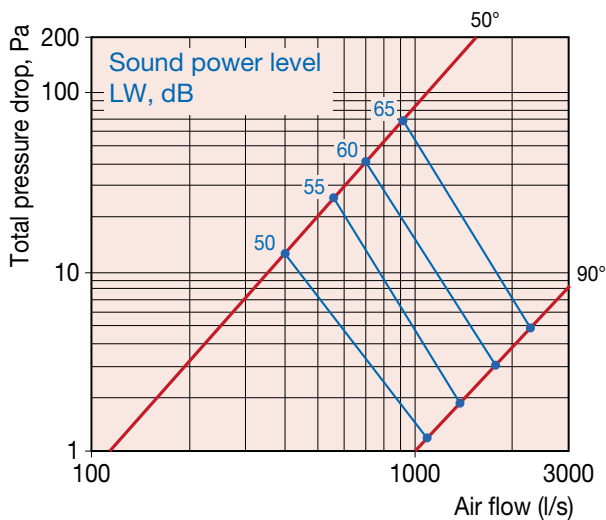
Size - 400



Size - 500



Size - 630



Sound data

Correction of sound power level, $L_{W_{ok}}$, in octave band

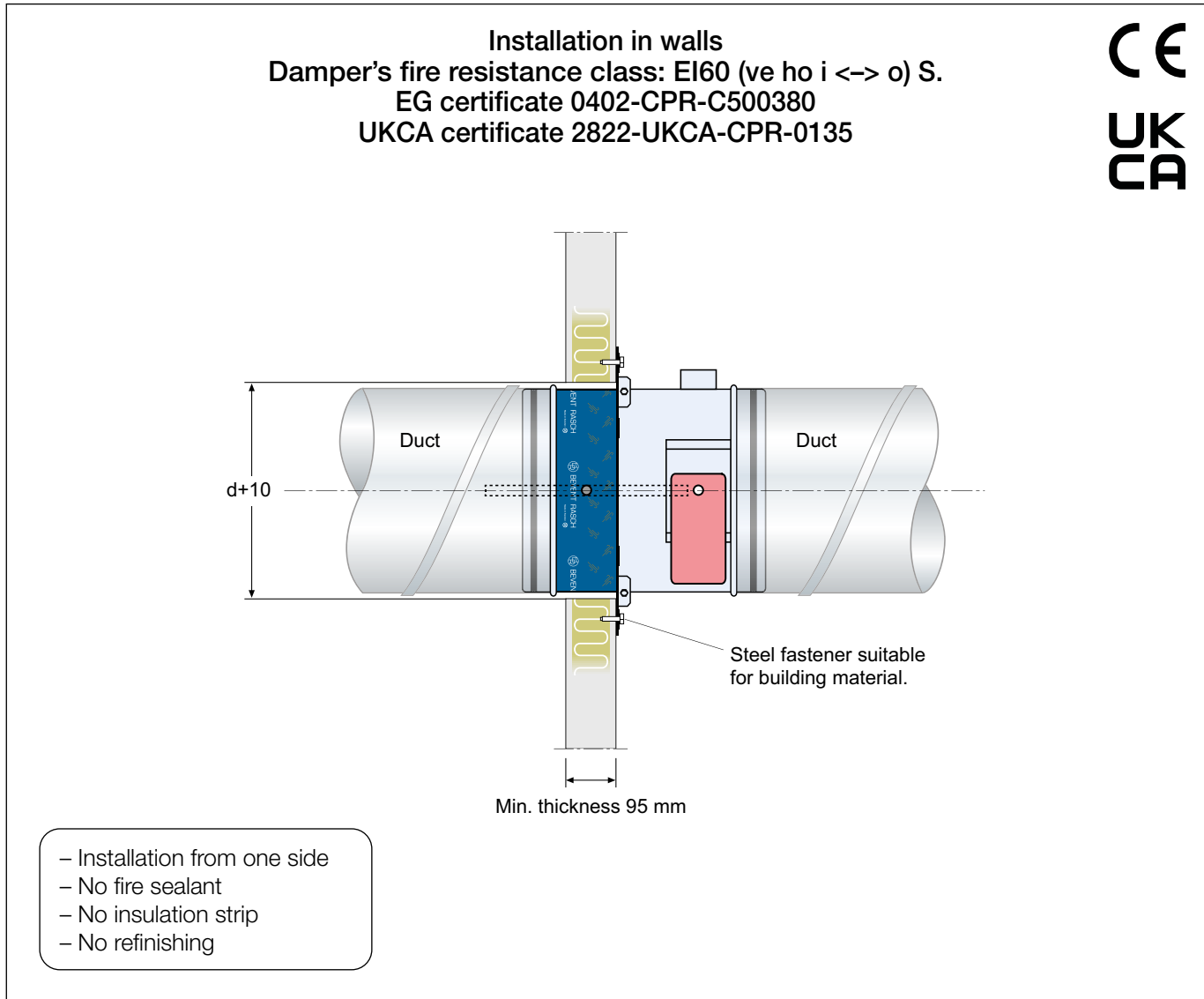
$$L_{W_{ok}} = L_w + K_{ok}$$

Correction, K_{ok}

Dimension Ø mm	Centre frequency Hz							
	63	125	250	500	1000	2000	4000	8000
100	-4	-9	-10	-10	-10	-15	-18	-22
125	-4	-8	-8	-9	-10	-15	-21	-22
160	-4	-7	-9	-11	-14	-16	-20	-25
200	-2	-8	-11	-14	-15	-18	-23	-25
250	-2	-11	-11	-14	-14	-21	-27	-28
315	-1	-12	-14	-16	-15	-23	-29	-29
400	-2	-10	-13	-15	-15	-21	-28	-29
500	-1	-11	-14	-17	-18	-24	-31	-32
630	-1	-11	-15	-17	-17	-25	-28	-31
Tol. ± dB	1	2	5	6	6	4	3	4



Installation instructions

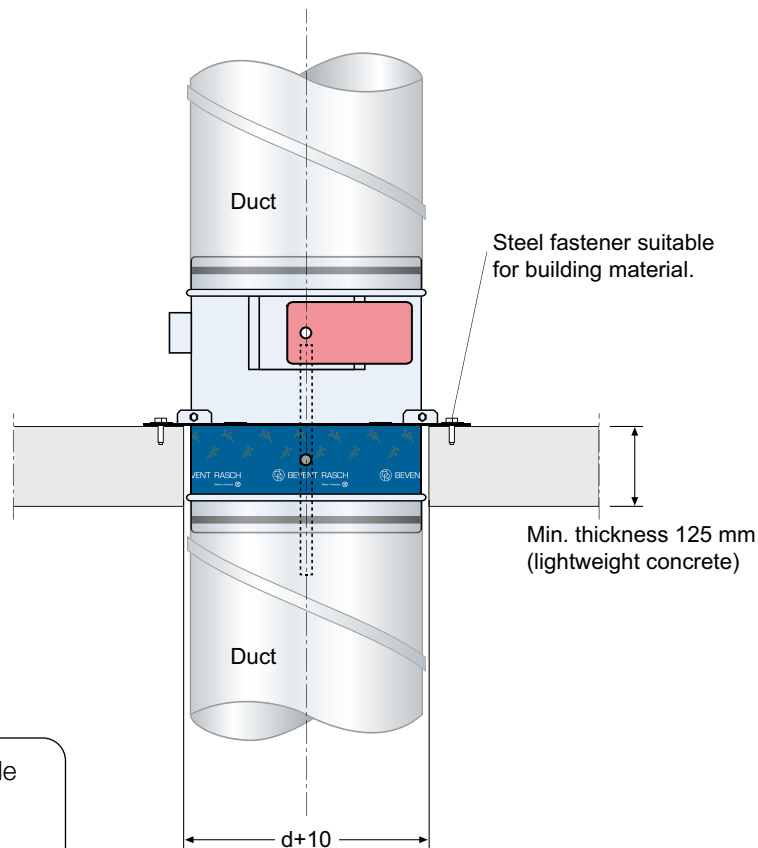


1. Make a hole for size in question ($d + 10$ mm).
2. Attach the damper to the duct and secure the mounting ring flat against the building element. Use the appropriate fastener for the building material in question. Make sure that the shape of the damper is not impacted during installation.
3. If necessary, the damper can be rotated after installation by loosening the screws in the mounting ring. Turn the damper to the desired position and lock the screws.
The actuator can be rotated to the desired position.
4. When installing without a duct connection, the damper should be fitted with an incombustible grille. Please note that from size $\text{Ø}250$ mm onwards the damper blade goes outside the casing in the open position.
5. The duct system is fitted in accordance with current requirements. Ensure that suspension and duct systems do not affect the movement of the damper blade.
 - Damper for installation in walls and floors.
 - The shortest distance between dampers must be 200 mm.
 - The minimum distance to the connecting structure should be 75 mm.
 - Free position on damper spindle.



Installation instructions

Installation in floors or joist systems.
Damper's fire resistance class: EI60 (ve ho i <-> o) S.
EG certificate 0402-CPR-C500380
UKCA certificate 2822-UKCA-CPR-0135

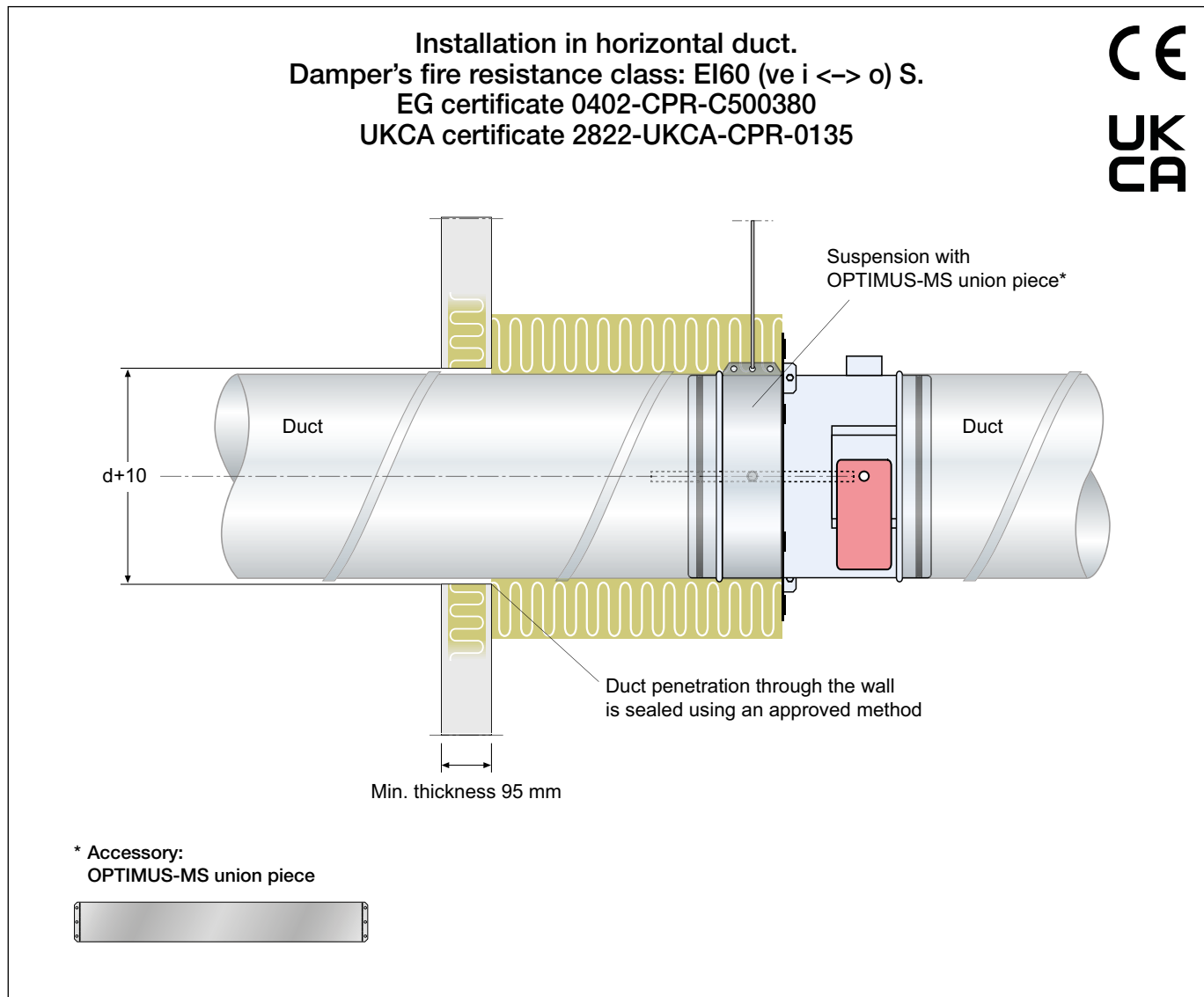


- Installation from one side
- No fire sealant
- No insulation strip
- No refinishing

1. Make a hole for size in question ($d + 10$ mm).
2. Attach the damper to the duct and secure the mounting ring flat against the building element. Use the appropriate fastener for the building material in question. Make sure that the shape of the damper is not impacted during installation.
3. If necessary, the damper can be rotated after installation by loosening the screws in the mounting ring. Turn the damper to the desired position and lock the screws.
The actuator can be rotated to the desired position.
4. When installing without a duct connection, the damper should be fitted with an incombustible grille. Please note that from size $\text{Ø}250$ mm onwards the damper blade goes outside the casing in the open position.
5. The duct system is fitted in accordance with current requirements. Ensure that suspension and duct systems do not affect the movement of the damper blade.
 - *Damper for installation in floors or joist systems.*
 - *The shortest distance between dampers must be 200 mm.*
 - *The minimum distance to the connecting structure should be 75 mm.*



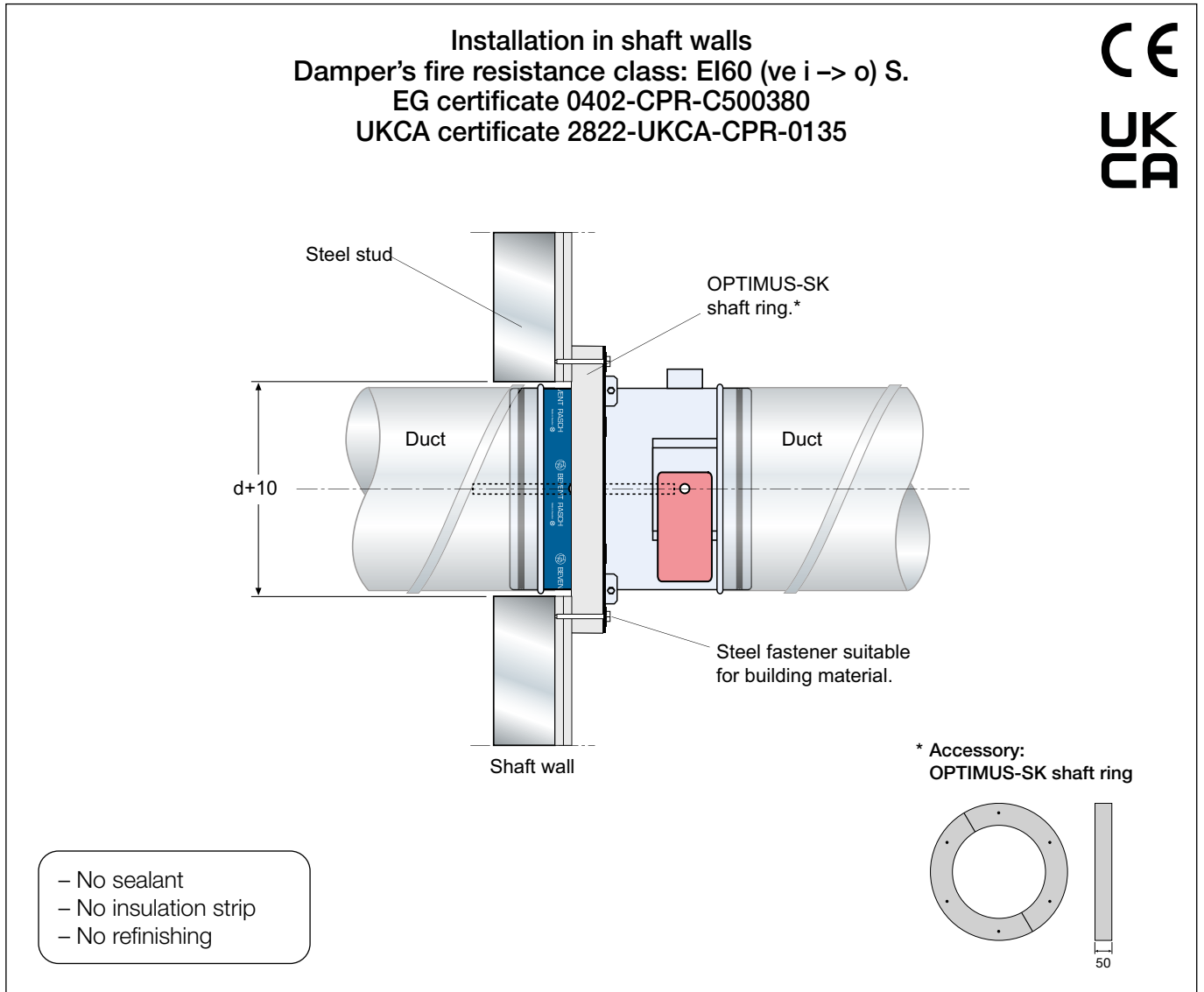
Installation instructions



1. Make a hole for size in question ($d + 10$ mm).
 2. Seal the wall penetration according to the circular ventilation duct method.
 3. Install the OPTIMUS-MS union piece accessory over the decal on the damper casing.
 4. When installing without a duct connection, the damper should be fitted with an incombustible grille.
 5. Insulate the duct from the wall penetration up to the damper's mounting ring. Insulate the EI60 duct system according to the supplier's instructions.
 6. The duct system is fitted in accordance with current requirements. Ensure that suspensions and duct systems do not affect the shape of the damper or impede the movement of the damper blade.
- Damper for installation in horizontal duct systems.
 - The shortest distance between dampers must be 200 mm.
 - The minimum distance to the connecting structure should be 75 mm.
 - Free position on damper spindle.



Installation instructions



1. Make a hole for size in question ($d + 10$ mm).
 2. Install the OPTIMUS-SK shaft ring accessory between the damper's mounting ring and the wall. Secure the damper with an appropriate fastener for the building material in question. Make sure that the shape of the damper is not impacted during installation.
 3. If necessary, the damper can be rotated after installation by loosening the screws in the mounting ring. Turn the damper to the desired position and lock the screws. The actuator can be rotated to the desired position.
 4. When installing without a duct connection, the damper should be fitted with an incombustible grille.
 5. The duct system is fitted in accordance with current requirements. Ensure that suspension and duct systems do not affect the movement of the damper blade.
- Damper for installation in shaft walls.
 - The shortest distance between dampers must be 200 mm.
 - The minimum distance to the connecting structure should be 75 mm.
 - Free position on damper spindle.