

BRBO

Non-return damper



LOUVRES



11/03/2022

www.bevent-rasch.com



BEVENT RASCH

AIR SOLUTIONS – FOR A BETTER TOMORROW



Non-return damper BRBO



Quick facts

- Size from Ø100 mm to 630 mm
- Spiro connection
- Frame of galvanised sheet steel, or stainless steel, blades in aluminium.

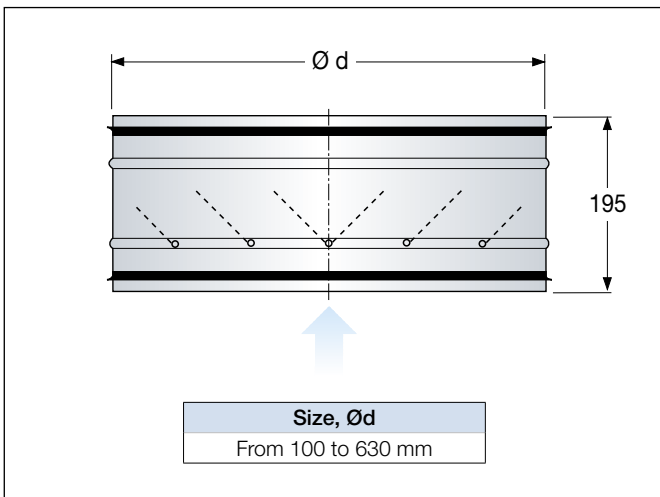
Use

BRBO is a circular non-return damper with spiro connection for installation in vertical upflow only. The damper blades are self-closing when there is no air flow.

Material, surface treatment

The casing is as standard manufactured in galvanised sheet steel with aluminium damper blades. The casing can also be manufactured in Aluzinc AZ185 or in stainless steel AISI 316L (EN 1.4404).

Dimensions



Specification

Examples:

Non-return damper **BRBO - 200 - 1**

Size, mm
see size table

Material:

Galvanized sheet steel	= 1
Stainless AISI 316L – EN 1.4404	= 3
Aluzinc AZ185	= 4

Selection chart

The air velocities are calculated on the connection area.

